

Linear Hygiene PHD 2.0 panel with valve



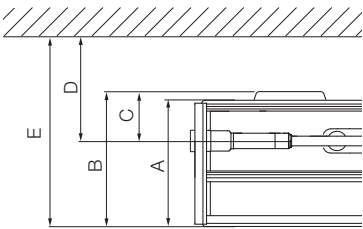
— TECHNICAL SPECIFICATIONS —



- New
- Blind cap and air vent included
- Included presetted valve

All Linear Hygiene PHD 2.0 are fitted as standard with the kit for energy saving low temperature operation with preferential heat diffusion, and preset thermostatic valve.

Hygiene radiators are designed for quick easy cleaning in every corner as there are no internal convectors (spaces where dust normally accumulates), or grille or side radiators which prevent cleaning.



Technical characteristics

- Working pressure 10 bar
- Test pressure 13 bar
- Maximum operating temperature 110 °C

Included in the packing

- Bottom connector 50 mm tappings centre, 3/4" outside thread
- 2 x 1/2" connections, internal thread on opposite side of the thermostatic insert with:
 - 1 x 1/2" blind cap provided, to be mounted
 - 1 x 1/2" vent plug provided, to be mounted
- Supports
 - All models have welded back supports
- Supplied with preset thermostatic valve on the right; Linear panels can be supplied with the insert on the left side (see order code modification) – PHD Radiators are not symmetrical.
- The thermostatic head must be ordered separately

Connection

- Linear Hygiene Universal panels can be connected to either a one-pipe or two-pipe installation with a distributor with 50 mm tappings centre. The water outlet must always be connected to the inner connection of the connector with 50 mm tappings centre.
- For connection to both two-pipe and one-pipe installations, a distributor is required and must be specifically ordered (see Linear Thermostatic radiators Accessories page for the range of Distributors available).

Safety

- Compact radiators cannot be inverted around any of the three axes.

Optional

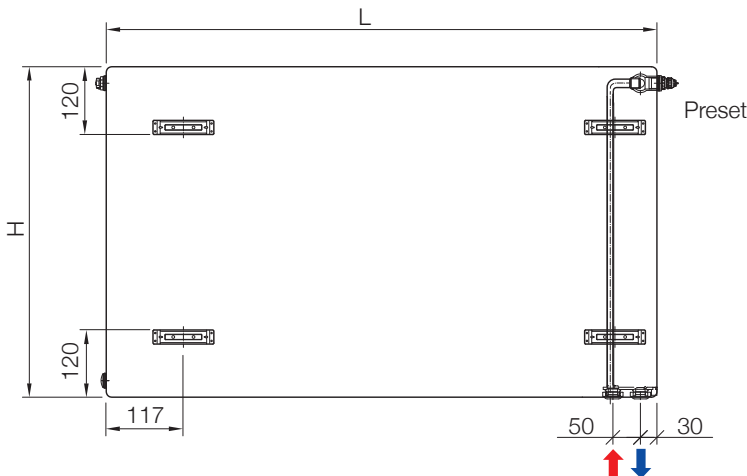
Brackets and optional accessories are available on dedicated pages.

		Dimensions		
		10	20	30
panel depth - excluding back supports	A	64	67	158
total depth - from the back of the support to the front panel**	B	64	76	167
distance from the back support to the connection	C	16	42	59
distance from wall to the centre of the connection (mounting the radiators on the GB brackets provided)*	D	20	57/65	74/82
total distance from the wall to the front panel (panel mounted on the GP brackets provided as standard)*	E	54	90/98	181/189

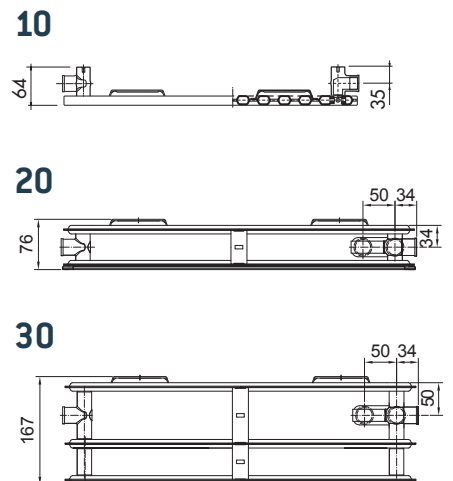
* The total distance varies according to whether the GB bracket is mounted in position A or position B (choice of depth), model 10 mounted on D30 brackets

** Calculating the total size of the panel (from the wall to the front panel) with the chosen wall brackets: the useful length of the chosen bracket must be added to this measurement (see brackets page).

Front view



Upper view



Height (H) 300

		10			20			30		
Width (mm)		64			67			158		
Exponent (n)		1,28			1,309			1,279		
Lenght (mm)		Output 75/65-20	Output 70/55-20	Output 55/45-20	Output 75/65-20	Output 70/55-20	Output 55/45-20	Output 75/65-20	Output 70/55-20	Output 55/45-20
		W	W	W	W	W	W	W	W	W
400	Power	117	95	61	206	166	106	312	253	162
500	Power	146	119	76	258	208	132	391	316	203
600	Power	175	142	91	309	249	158	469	379	244
700	Power	204	166	106	361	291	185	547	443	284
800	Power	234	190	121	412	332	211	625	506	325
900	Power	263	213	137	464	374	238	703	569	365
1.000	Power	292	237	152	515	415	264	781	632	406
1.100	Power	321	261	167	567	457	290	859	696	447
1.200	Power	350	285	182	618	499	317	937	759	487
1.400	Power	409	332	213	721	582	370	1093	885	568
1.600	Power	467	379	243	824	665	422	1250	1012	650
1.800	Power	526	427	273	927	748	475	1406	1138	731
2.000	Power	584	474	304	1030	831	528	1562	1265	812
2.300	Power	672	545	349	1185	956	607	1796	1455	934
2.600	Power	759	617	395	1339	1080	686	2031	1644	1056
3.000	Power	876	711	456	1545	1246	792	2343	1897	1218

Height (H) 400

		10			20			30		
Width (mm)		64			67			158		
Exponent (n)		1,281			1,289			1,28		
Lenght (mm)		Output 75/65-20	Output 70/55-20	Output 55/45-20	Output 75/65-20	Output 70/55-20	Output 55/45-20	Output 75/65-20	Output 70/55-20	Output 55/45-20
		W	W	W	W	W	W	W	W	W
400	Power	142	116	74	260	211	134	390	317	203
500	Power	178	145	93	325	263	168	488	396	254
600	Power	214	174	111	389	316	202	585	475	304
700	Power	249	203	130	454	369	235	683	554	355
800	Power	285	231	148	519	421	269	780	633	406
900	Power	320	260	167	584	474	302	878	713	456
1.000	Power	356	289	185	649	527	336	975	792	507
1.100	Power	392	318	204	714	579	370	1073	871	558
1.200	Power	427	347	222	779	632	403	1170	950	608
1.400	Power	498	405	259	909	737	470	1365	1109	710
1.600	Power	570	463	296	1038	842	538	1560	1267	811
1.800	Power	641	521	333	1168	948	605	1755	1425	913
2.000	Power	712	579	370	1298	1053	672	1950	1584	1014
2.300	Power	819	666	426	1493	1211	773	2243	1821	1166
2.600	Power	926	752	482	1687	1369	874	2535	2059	1318
3.000	Power	1068	868	556	1947	1580	1008	2925	2376	1521

LINEAR STEEL PANEL

Height (H) 500

		10			20			30		
Width (mm)		64			67			158		
Exponent (n)		1,281			1,268			1,281		
Lenght (mm)		Output 75/65-20	Output 70/55-20	Output 55/45-20	Output 75/65-20	Output 70/55-20	Output 55/45-20	Output 75/65-20	Output 70/55-20	Output 55/45-20
		W	W	W	W	W	W	W	W	W
400	Power	170	138	88	312	254	163	466	379	243
500	Power	213	173	110	390	317	204	583	474	303
600	Power	255	207	133	468	380	245	699	569	364
700	Power	298	242	155	546	444	285	816	664	425
800	Power	340	276	177	624	507	326	932	758	485
900	Power	383	311	199	702	571	367	1049	853	546
1.000	Power	426	345	221	780	634	408	1165	948	607
1.100	Power	468	380	243	858	697	448	1282	1043	667
1.200	Power	511	414	265	936	761	489	1398	1138	728
1.400	Power	596	483	309	1092	888	571	1631	1327	849
1.600	Power	681	552	354	1248	1014	652	1864	1517	971
1.800	Power	766	621	398	1405	1141	734	2097	1706	1092
2.000	Power	851	690	442	1561	1268	815	2330	1896	1213
2.300	Power	979	794	508	1795	1458	938	2680	2180	1396
2.600	Power	1106	897	574	2029	1648	1060	3029	2465	1578
3.000	Power	1277	1036	663	2341	1902	1223	3495	2844	1820

Height (H) 600

		10			20			30		
Width (mm)		64			67			158		
Exponent (n)		1,282			1,248			1,281		
Lenght (mm)		Output 75/65-20	Output 70/55-20	Output 55/45-20	Output 75/65-20	Output 70/55-20	Output 55/45-20	Output 75/65-20	Output 70/55-20	Output 55/45-20
		W	W	W	W	W	W	W	W	W
400	Power	201	163	104	364	297	193	541	439	281
500	Power	251	204	131	455	372	241	677	549	352
600	Power	302	245	157	546	446	289	812	659	422
700	Power	352	286	183	637	521	337	947	769	492
800	Power	402	327	209	728	595	385	1083	879	562
900	Power	453	367	235	819	669	433	1218	989	633
1.000	Power	503	408	261	910,3	744	481	1353	1098	703
1.100	Power	553	449	287	1001	818	530	1489	1208	773
1.200	Power	603	490	313	1092	892	578	1624	1318	844
1.400	Power	704	572	366	1274	1041	674	1895	1538	984
1.600	Power	805	653	418	1456	1190	770	2165	1758	1125
1.800	Power	905	735	470	1639	1338	867	2436	1977	1266
2.000	Power	1006	817	522	1821	1487	963	2707	2197	1406
2.300	Power	1157	939	601	2094	1710	1107	3113	2526	1617
2.600	Power	1308	1062	679	2367	1933	1252	3519	2856	1828
3.000	Power	1509	1225	784	2731	2231	1444	4060	3295	2109

Height (H) 700

		10			20			30		
Width (mm)		64			67			158		
Exponent (n)		1,263			1,251			1,286		
Lenght (mm)		Output 75/65-20	Output 70/55-20	Output 55/45-20	Output 75/65-20	Output 70/55-20	Output 55/45-20	Output 75/65-20	Output 70/55-20	Output 55/45-20
		W	W	W	W	W	W	W	W	W
400	Power	236	192	124	416	339	220	616	499	319
500	Power	295	240	154	520	424	274	771	624	399
600	Power	354	288	185	624	509	329	925	749	479
700	Power	413	336	216	728	594	384	1079	874	558
800	Power	472	384	247	832	679	439	1233	999	638
900	Power	530	432	278	936	764	494	1387	1124	718
1.000	Power	589	480	309	1040	849	549	1541	1249	798
1.100	Power	648	528	340	1144	934	604	1695	1374	878
1.200	Power	707	576	371	1248	1018	659	1849	1498	957
1.400	Power	825	672	433	1456	1188	769	2157	1748	1117
1.600	Power	943	767	494	1664	1358	878	2466	1998	1277
1.800	Power	1061	863	556	1872	1528	988	2774	2248	1436
2.000	Power	1179	959	618	2080	1697	1098	3082	2497	1596
2.300	Power	1356	1103	711	2392	1952	1263	3544	2872	1835
2.600	Power	1532	1247	803	2704	2207	1427	4007	3247	2074
3.000	Power	1768	1439	927	3120	2546	1647	4623	3746	2394

Height (H) 900

		10			20			30		
Width (mm)		64			67			158		
Exponent (n)		1,226			1,257			1,297		
Lenght (mm)		Output 75/65-20	Output 70/55-20	Output 55/45-20	Output 75/65-20	Output 70/55-20	Output 55/45-20	Output 75/65-20	Output 70/55-20	Output 55/45-20
		W	W	W	W	W	W	W	W	W
400	Power	318	261	170	521	424	274	768	623	396
500	Power	398	326	213	651	530	343	960	778	495
600	Power	478	392	256	782	636	411	1152	934	594
700	Power	557	457	298	912	742	480	1344	1090	693
800	Power	637	522	341	1042	848	548	1536	1245	793
900	Power	716	587	383	1172	954	617	1728	1401	892
1.000	Power	796	653	426	1303	1060	685	1920	1556	991
1.100	Power	875	718	468	1433	1166	754	2112	1712	1090
1.200	Power	955	783	511	1563	1272	822	2304	1868	1189
1.400	Power	1114	914	596	1824	1484	959	2688	2179	1387
1.600	Power	1273	1044	681	2084	1696	1096	3072	2490	1585
1.800	Power	1433	1175	767	2345	1909	1233	3455	2802	1783
2.000	Power	1592	1305	852	2605	2121	1370	3839	3113	1981
2.300	Power	1831	1501	979	2996	2439	1576	4415	3580	2279
2.600	Power	2069	1697	1107	3387	2757	1782	4991	4047	2576
3.000	Power	2388	1958	1278	3908	3181	2056	5759	4669	2972

LINEAR STEEL PANEL